

HVAC Hydronic Systems - Metallic Pipe Installation - Ethernet Application

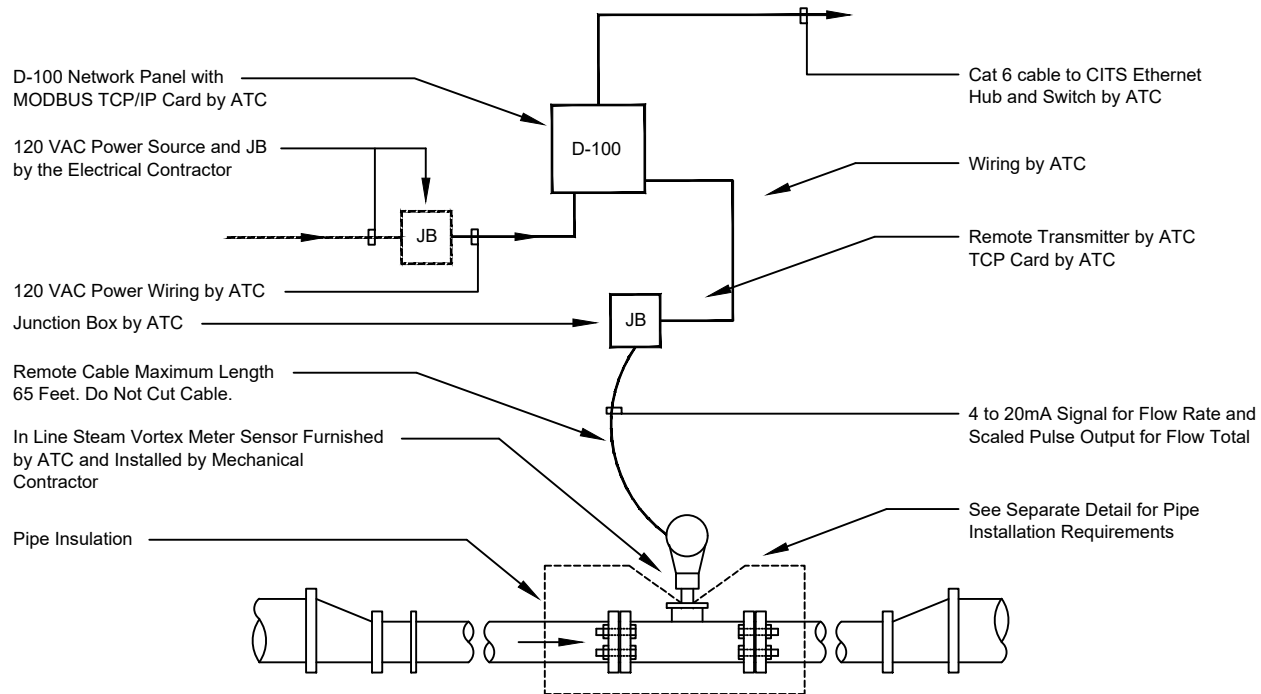
Detail: Installation - Insertion Electromagnetic BAS Flow Meter

No Scale

Note:

HVAC Hydronic Systems using Metallic Pipe and Fittings include Chilled Water, Heating Water, Condenser Water, and Energy Recovery Systems Unless Otherwise Noted.

Mount Network Panel on the Nearest Wall 60 Inches Above the Finished Floor.



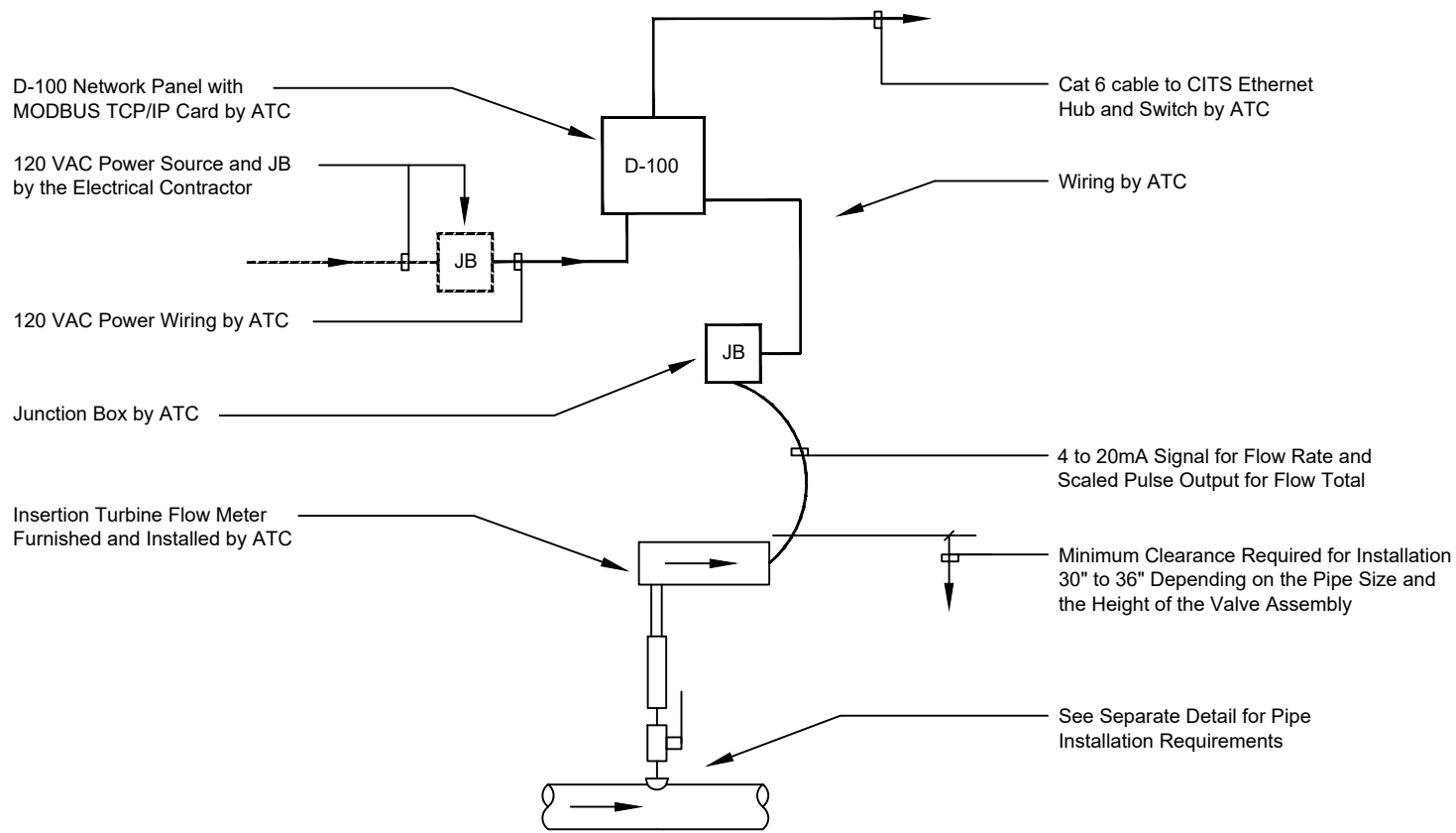
HVAC Steam Service - Metallic Pipe Installation - Ethernet Application
Detail: Installation - In Line Steam Vortex BAS Flow Meter

No Scale

Note:

HVAC Steam Systems using Metallic Pipe and Fittings include Medium Pressure Systems and Low Pressure Systems Unless Otherwise Noted.

Mount Network Panel on the Nearest Wall 60 Inches Above the Finished Floor.



HVAC Hydronic Systems - Metallic Pipe Installation - Ethernet Application

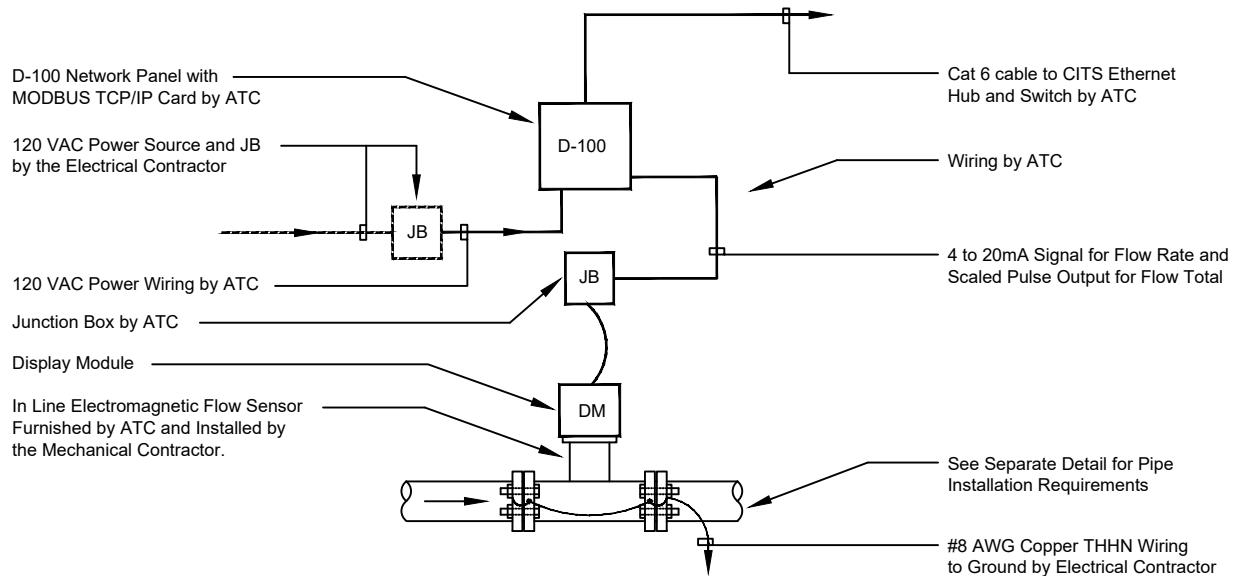
Detail:Installation - Insertion Turbine BAS Flow Meter

No Scale

Note:

HVAC Hydronic Systems using Metallic Pipe and Fittings include Chilled Water, Heating Water, Condenser Water, and Energy Recovery Systems Unless Otherwise Noted.

Mount Network Panel on the Nearest Wall 60 Inches Above the Finished Floor.



HVAC Hydronic Systems - Metallic Pipe Installation - Ethernet Application

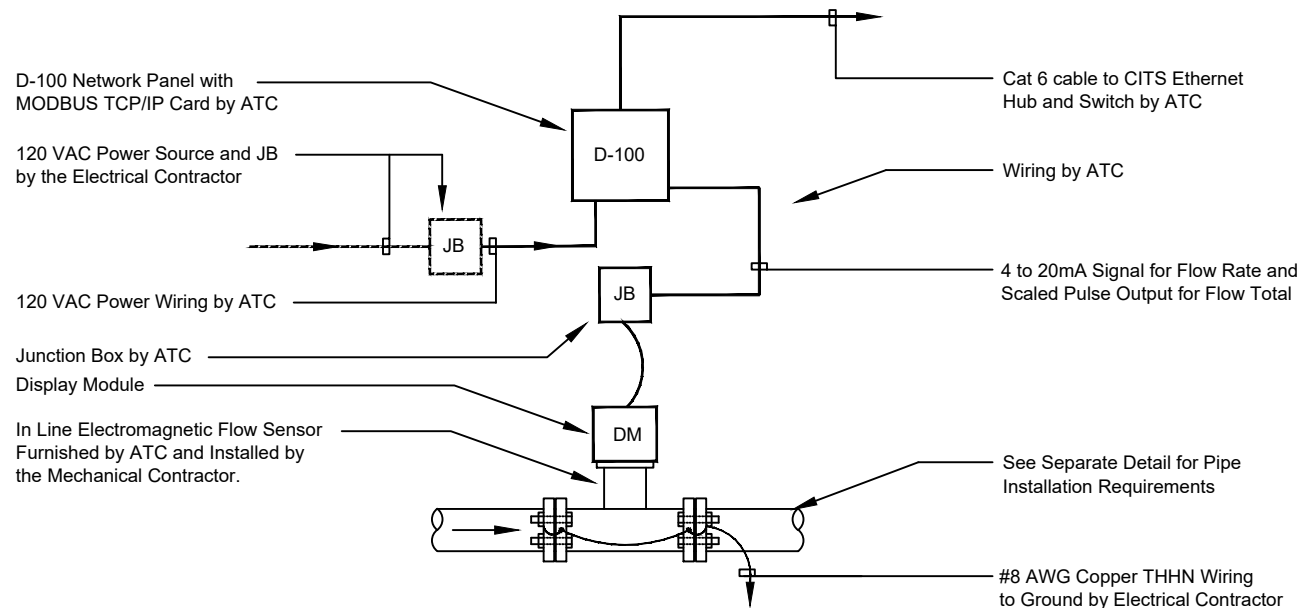
Detail: Installation - In Line Electromagnetic BAS Flow Meter

No Scale

Note:

HVAC Hydronic Systems using Metallic Pipe and Fittings include Chilled Water, Heating Water, Condenser Water, and Energy Recovery Systems Unless Otherwise Noted.

Mount Network Panel on the Nearest Wall 60 Inches Above the Finished Floor.



Domestic Water Systems - Metallic Pipe Installation - Ethernet Application

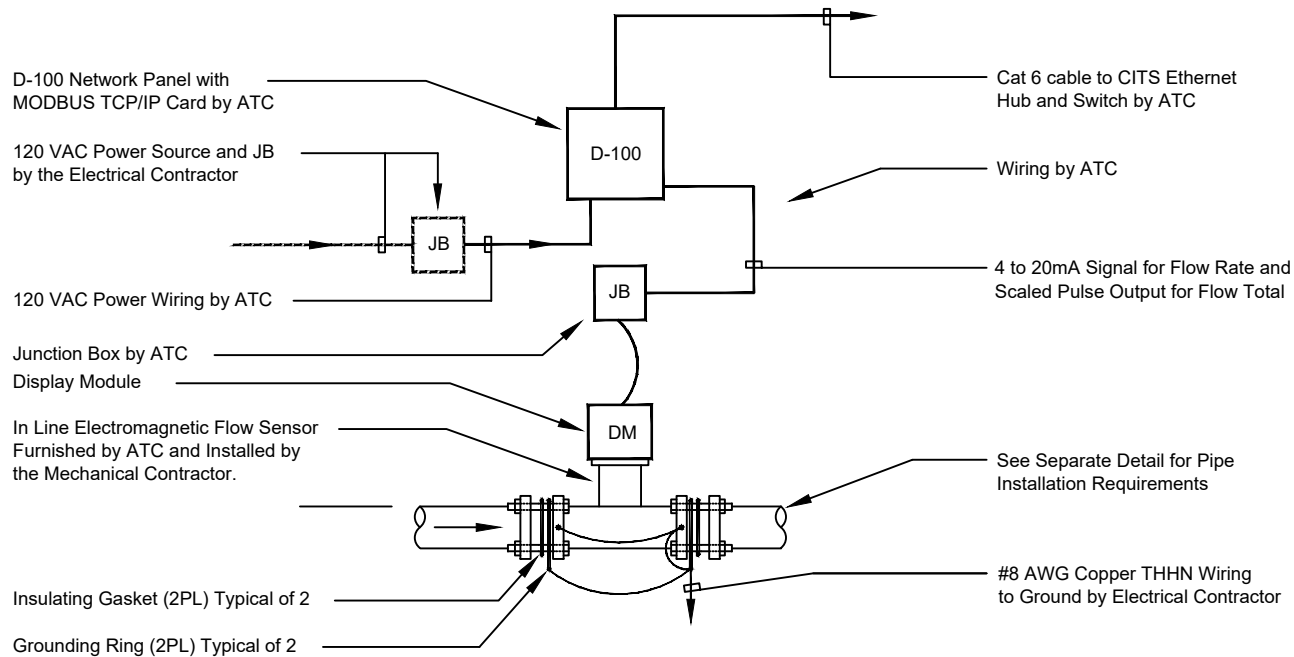
Detail: Installation - In Line Electromagnetic BAS Flow Meter

No Scale

Note:

Domestic Water Systems using Metallic Pipe and Fittings include Water Service and Make Up Water Services for HVAC Hydronic Systems Unless Otherwise Noted

Mount Network Panel on the Nearest Wall 60 Inches Above the Finished Floor.



HVAC Drain Meters - Non Metallic Pipe Installation - Ethernet Application

Detail:Installation - In Line Electromagnetic BAS Flow Meter

No Scale

Note:

HVAC Drain Meters are limited to Condenser/Tower Water Drains, Chemical Drain/Bleed Drains and Tower Filtration Drains. Systems using Non Metallic Pipe and Fittings Unless Otherwise Noted

Mount Network Panel on the Nearest Wall 60 Inches Above the Finished Floor.