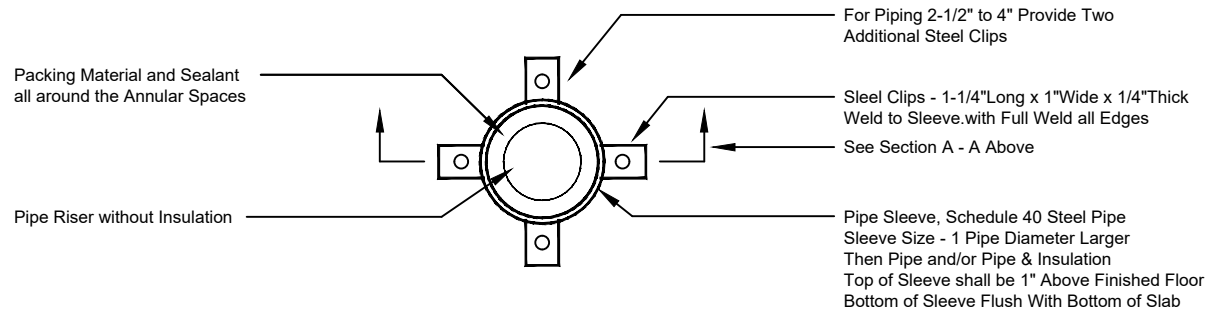


Section A - A

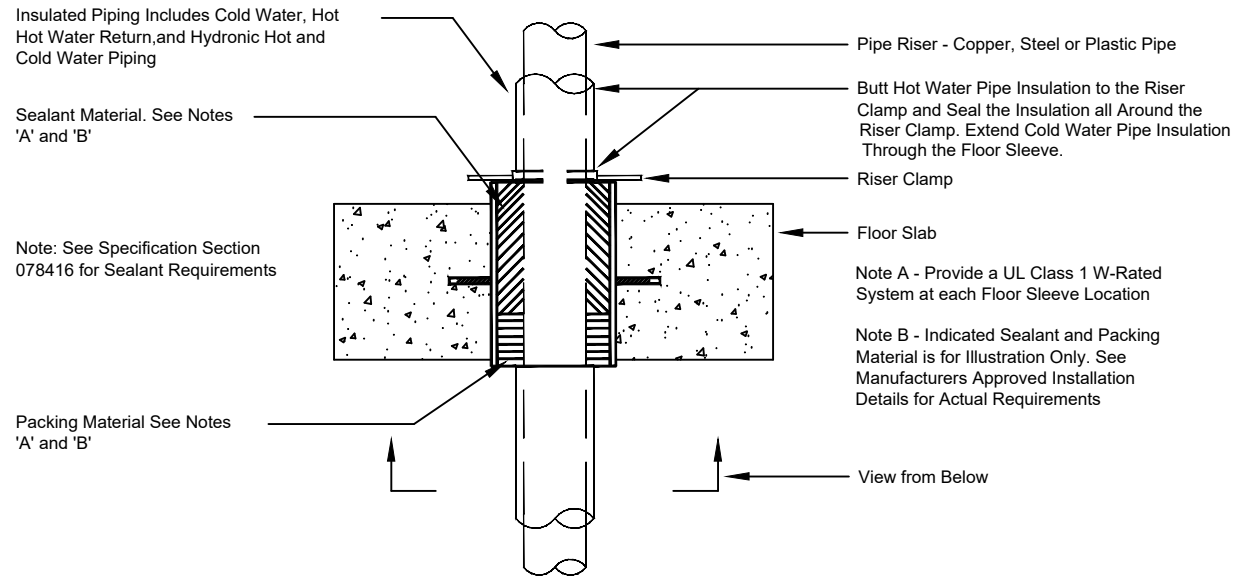


View From Below

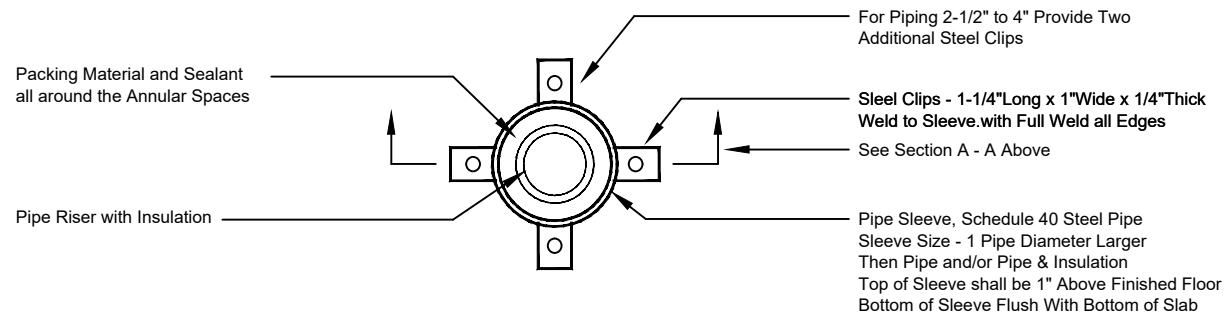
Floor Pipe Sleeve - Uninsulated Pipe

No Scale

New Construction Projects



Section A - A

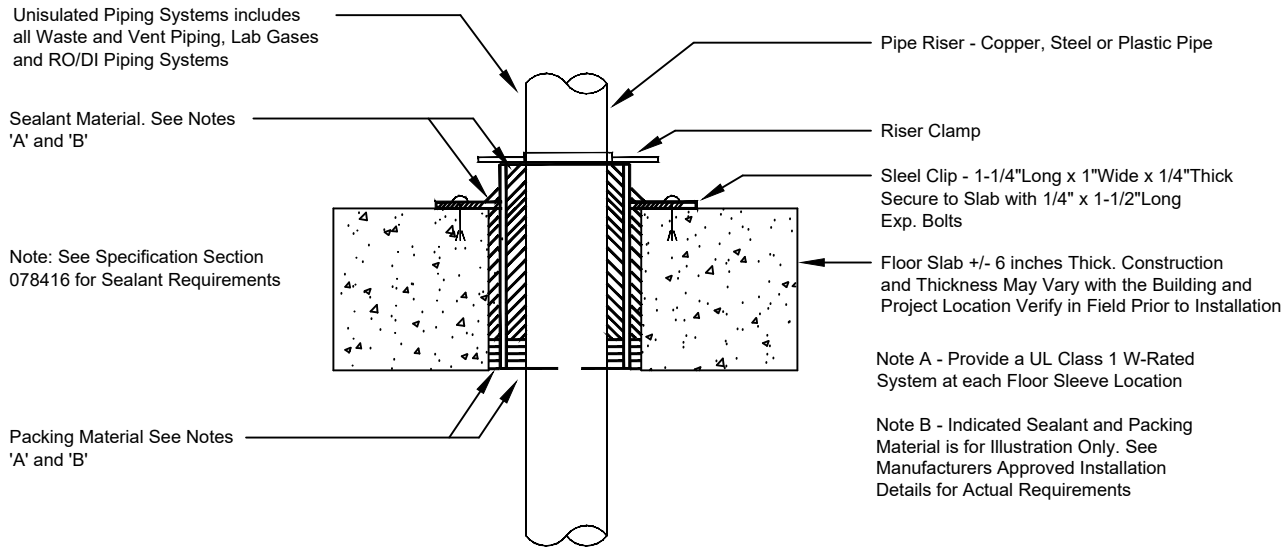


View From Below

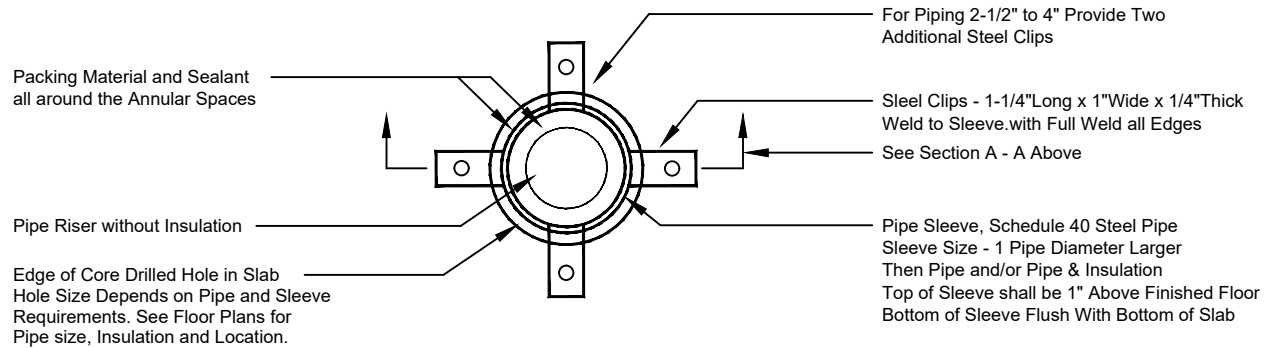
Floor Pipe Sleeve - Insulated Pipe

No Scale

New Construction Projects



Section A - A

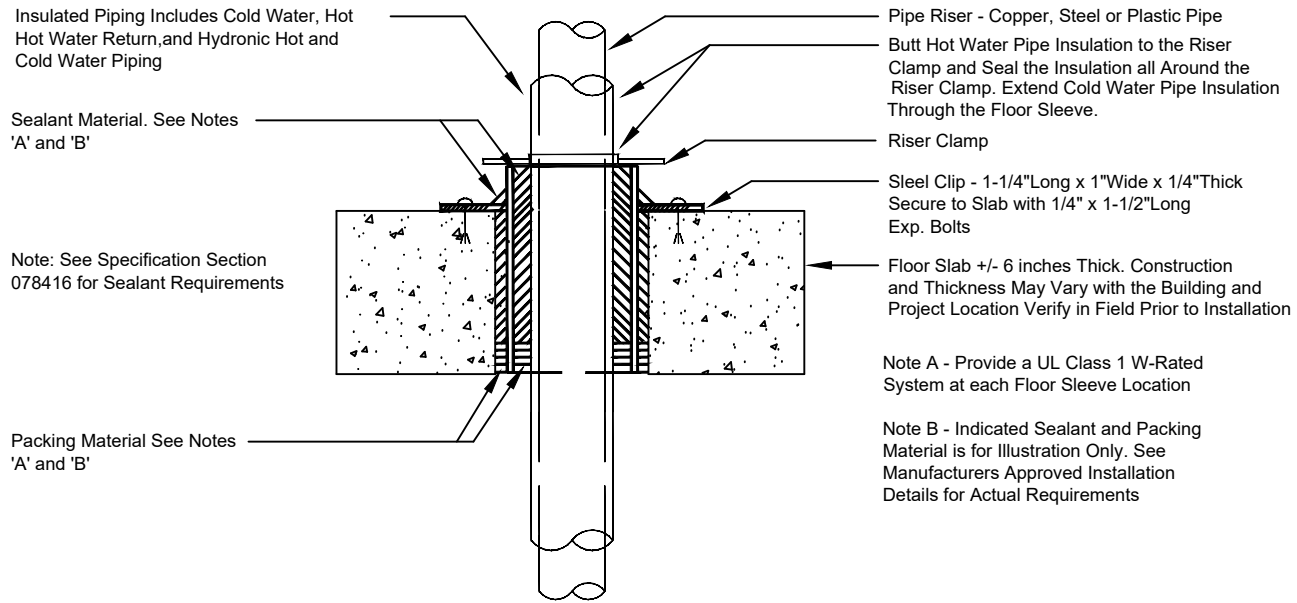


View From Above

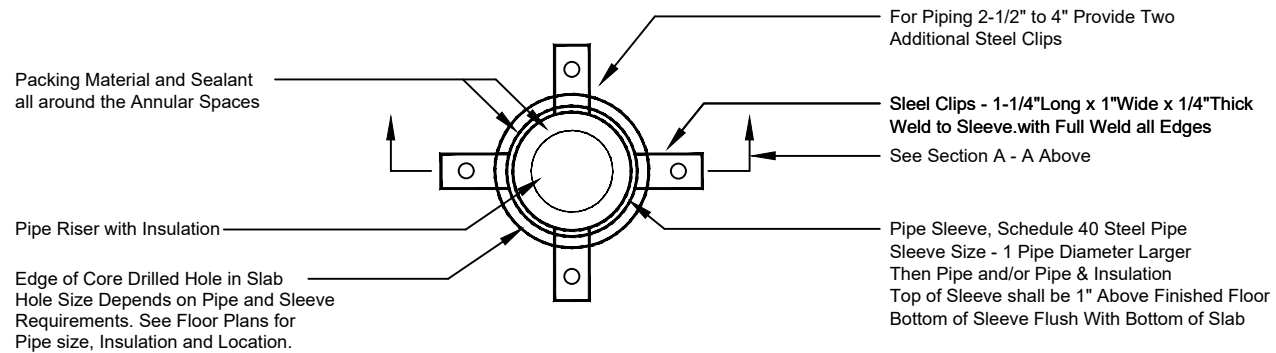
Floor Pipe Sleeve - Uninsulated Pipe

No Scale

Renovation Projects



Section A - A



View From Above

Floor Pipe Sleeve - Insulated Pipe

No Scale

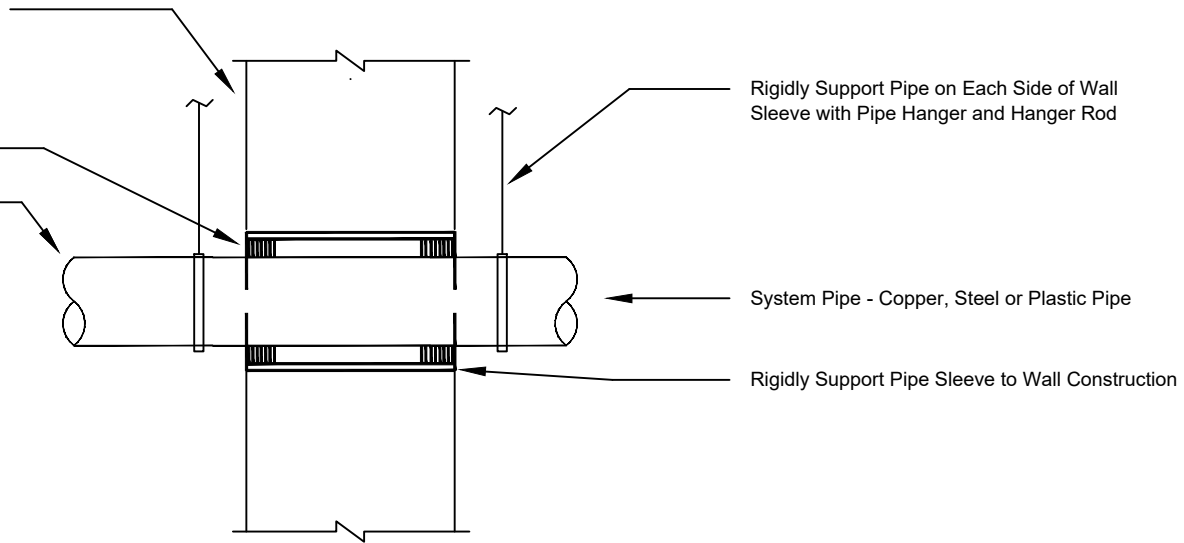
Renovation Projects

See Architectural Plans and Details for Location and Construction for Rated Walls and Non Rated CMU Walls.

Sealant Material. See Note 'C'

Uninsulated Piping Systems includes all Waste and Vent Piping, Lab Gases and RO/DI Piping Systems

Note C - Indicated Sealant Material is for Illustration Only. See Manufacturers Approved Installation Details for Actual Requirements



Rated Wall/Partition

Wall Pipe Sleeve - Uninsulated Pipe

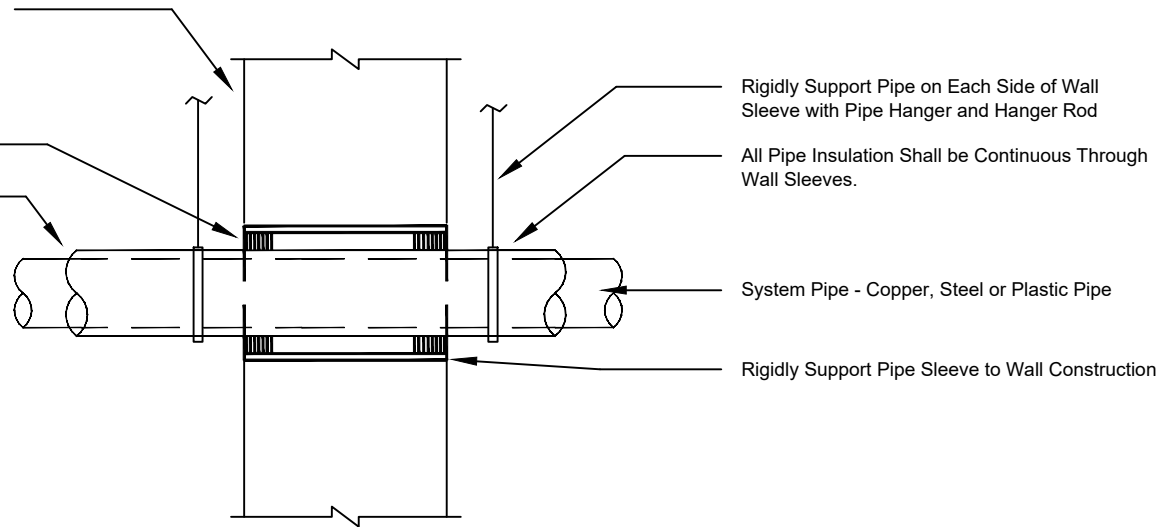
No Scale

See Architectural Plans and Details for Location and Construction for Rated Walls and Non Rated CMU Walls.

Sealant Material. See Note 'C'

Insulated Piping Includes Plumbing, HVAC, and Storm Water Piping

Note C - Indicated Sealant Material is for Illustration Only. See Manufacturers Approved Installation Details for Actual Requirements



Rated Wall/Partition

Wall Pipe Sleeve - Insulated Pipe

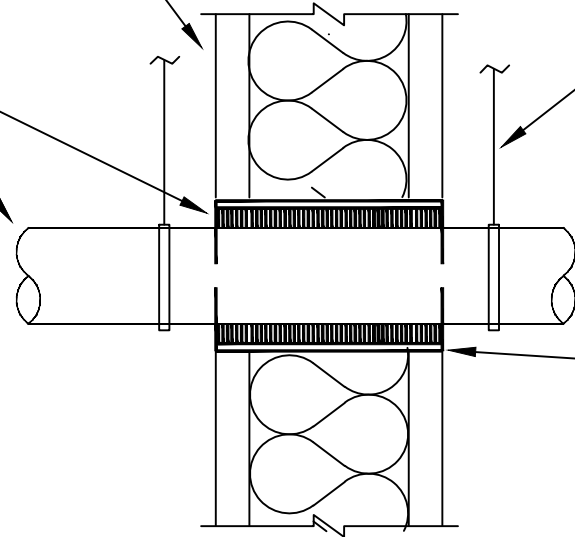
No Scale

See Architectural Plans and Details for Location and Construction of Sound Proof Partitions

Sound Proof Material. See Note 'A'

Uninsulated Piping Systems includes all Waste and Vent Piping, Lab Gases and RO/DI Piping Systems

Note A - Sound Proof Material to Match Insulation in Partition. Seal all Annular Spaces Through Full Partition Width



Rigidly Support Pipe on Each Side of Wall Sleeve with Pipe Hanger and Hanger Rod

System Pipe - Copper, Steel or Plastic Pipe

Rigidly Support Pipe Sleeve to Wall Construction

Sound Proof Partition

Wall Pipe Sleeve - Uninsulated Pipe

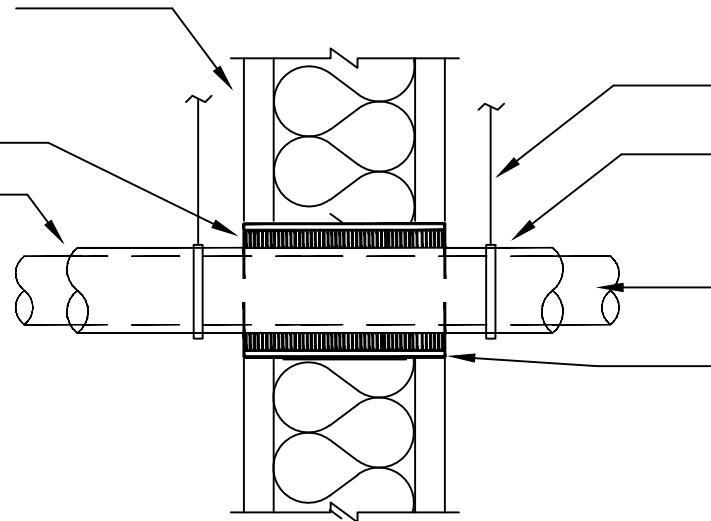
No Scale

See Architectural Plans and Details for Location and Construction of Sound Proof Partitions

Sound Proof Material. See Note 'A'

Insulated Piping Includes Plumbing, HVAC, and Storm Water Piping

Note A - Sound Proof Material to Match Insulation in Partition. Seal all Annular Spaces Through Full Partition Width



Rigidly Support Pipe on Each Side of Wall Sleeve with Pipe Hanger and Hanger Rod

All Pipe Insulation Shall be Continuous Through Wall Sleeves.

System Pipe - Copper, Steel or Plastic Pipe

Rigidly Support Pipe Sleeve to Wall Construction

Sound Proof Partition

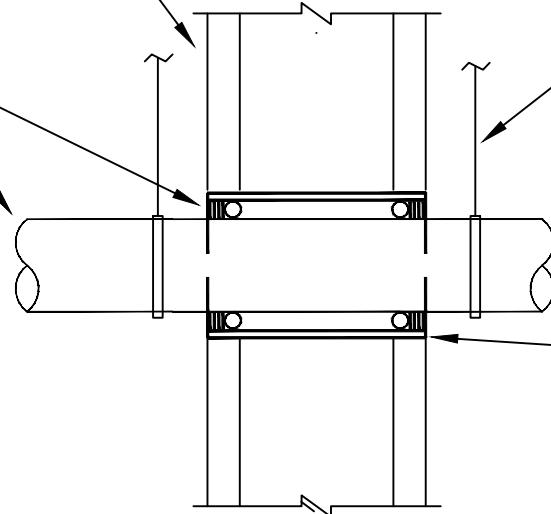
Wall Pipe Sleeve - Insulated Pipe

No Scale

See Architectural Plans and Details for Location and Construction of Walls and Partitions

Non Hardening Sealant Material and Backer Rod

Uninsulated Piping Systems includes all Waste and Vent Piping, Lab Gases and RO/DI Piping Systems



Rigidly Support Pipe on Each Side of Wall Sleeve with Pipe Hanger and Hanger Rod

System Pipe - Copper, Steel or Plastic Pipe

Rigidly Support Pipe Sleeve to Wall Construction

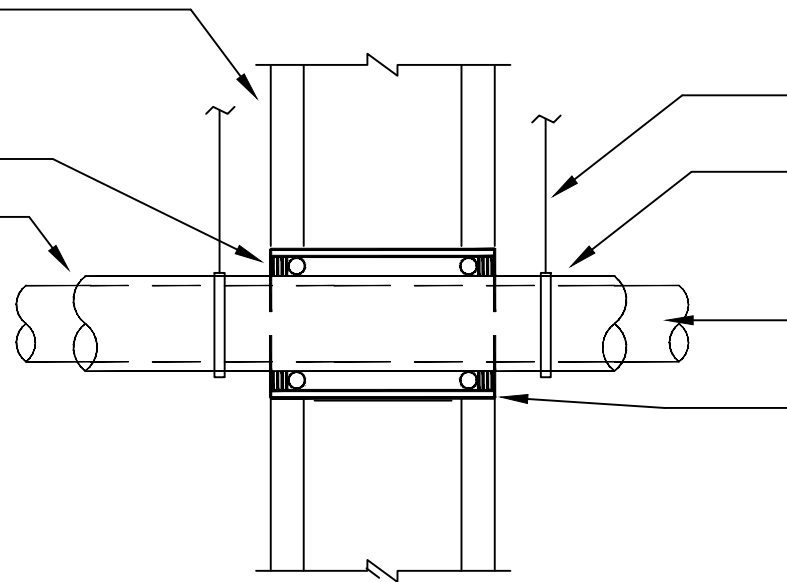
Full Height Wall / Partition

Wall Pipe Sleeve - Uninsulated Pipe

No Scale

See Architectural Plans and Details for Location and Construction of Walls and Partitions

Non Hardening Sealant Material and Backer Rod
Insulated Piping Includes Plumbing, HVAC, and Storm Water Piping



Rigidly Support Pipe on Each Side of Wall Sleeve with Pipe Hanger and Hanger Rod

All Pipe Insulation Shall be Continuous Through Wall Sleeves.

System Pipe - Copper, Steel or Plastic Pipe

Rigidly Support Pipe Sleeve to Wall Construction

Full Height Wall / Partition

Wall Pipe Sleeve - Insulated Pipe

No Scale